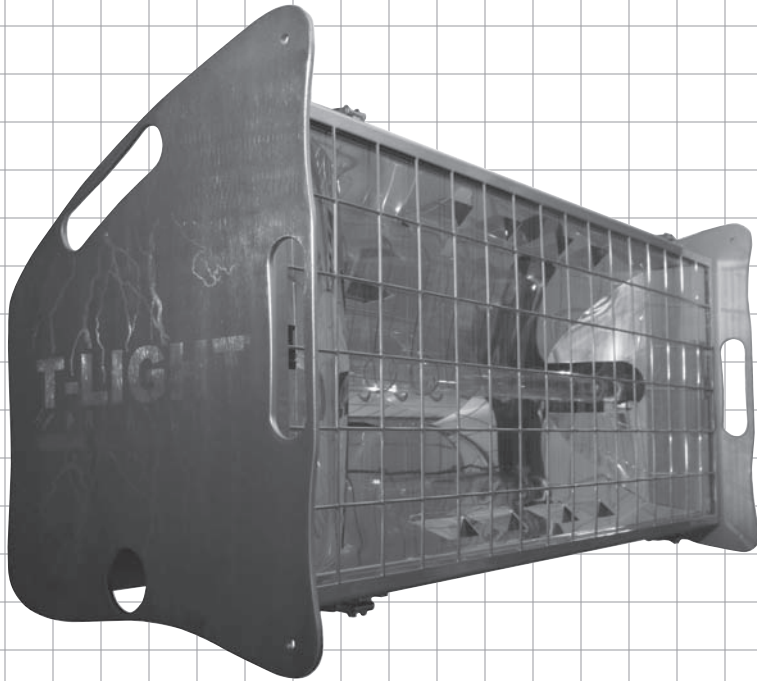


# SOLARIS PRELIMINARY

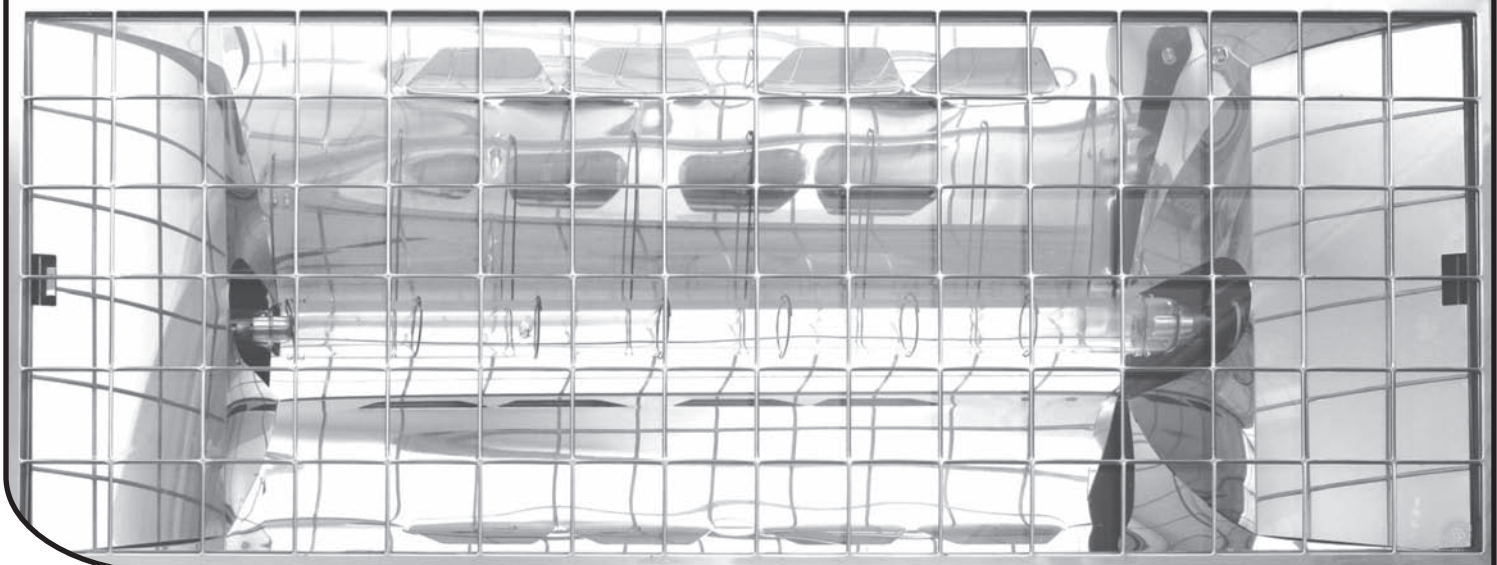
## T-LIGHT

Bad-Ass Lightning Machine

### 85,000 Watts!



- Flash length from 1/30 sec to 3.5 sec.
- Stainless steel body lasts for years.
- DMX512 control.
- Optional controllers can execute pre-programmed or customized lightning sequences at the push of a button or triggered via DMX512.
- Beam is adjustable from spot to flood.
- Compact, fits into a Pelican™ case.
- Has internal and thermal circuit breaker and residual current operated circuit breaker.



### LOS ANGELES

10643 Glenoaks Blvd.  
Pacoima, CA 91331  
USA

Tel: +1 818.899.8818  
Fax: +1 818.899.8813

### LONDON

21 Armstrong Way  
Southall  
UB2 4SD England

Tel: +44 (0)20.8574.9700  
Fax: +44 (0)20.8574.9701

### NEW YORK

100 Asia Place  
Carlstadt, NJ 07072  
USA

Tel: +1 201.896.8600  
Fax: +1 201.896.8601

### BEIJING

No. 309, Building 6  
Sanlitun Nanlu  
Chaoyang District  
Beijing, China 100027

Tel: +86 10.8492.1587  
Fax: +86 10.8492.7635

### TORONTO

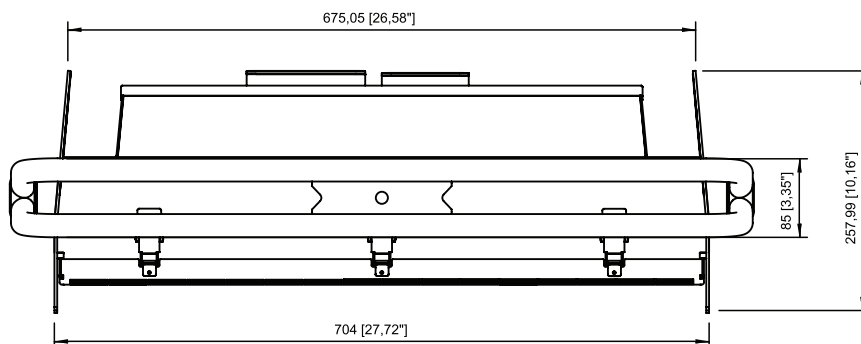
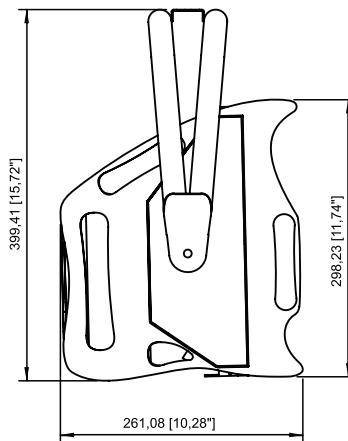
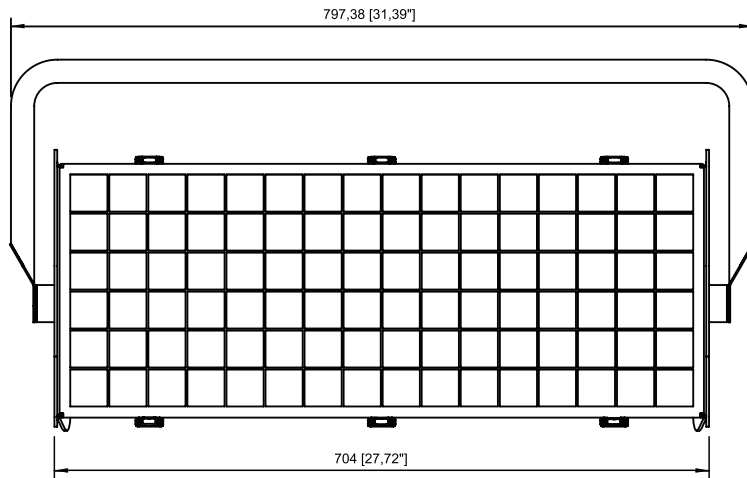
409 Saddle St. West  
Box 654, Durham  
Ontario N0G-1R0

Tel: +1 519.369.9990  
Fax: +1 519.369.9992

# T-LIGHT SPECIFICATIONS

<b>LAMP</b>	Maximum continuous flash discharge	3.5 sec
	Frequency of continuous mode	120 Hz
	Flash tube type	Proprietary Long Arc Xenon Tube
	Colour temperature	5600° Kelvin
<b>CONTROL PARAMETERS</b>	Intensity control	
	Adjustable flash frequency	
<b>ELECTRONIC &amp; SAFETY DEVICES</b>	Overheating protection	80°C, 110 °C, self resetting
	Self-test	Preprogrammed
	Indicator LED'S	Red: POWER Yellow: MODE/PROTECTION Green: DATA
<b>CONTROL SYSTEM</b>	Digital display and pushbutton programming of parameters	
	Number of channels	2
	Connection type	5-Pin XLR
	Supported protocols	DMX512
<b>POWER SUPPLY</b>	Nominal mains voltage	230/240 V - 50/60 Hz
	Operating mains voltage	160-250 V - 50/60 Hz
	Power requirement	100A breaker
	Max. power draw	350A
<b>FIXTURE &amp; HOUSING</b>	Protection from breaking flash tube	Soft spring suspension system
	Fixing	Adjustable Yoke
	Corrosion protection	Stainless steel body
	Unit Dimensions (HxWxD)	15" x 33" x 10" / 38 x 84 x 25 cm
	Shipping Dimensions (HxWxD)	21" x 41" x 19" / 53 x 104 x 48 cm
	Unit Weight	39 lb. / 17.7 kg
	Shipping Weight	54 lb. / 24.5 kg

Specifications and features are subject to change without notice.



**PRELIMINARY**