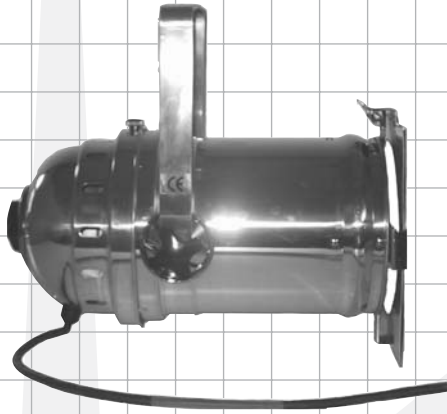


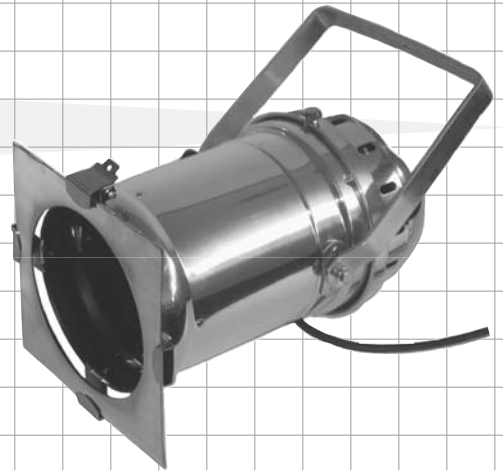
# STAR CAN PAR 64



- High quality aluminium construction.
- Heavy-duty positive-locking yoke.
- Available with bright, highly polished natural aluminium or matt black enameled finish.
- Pre-wired EMEP ceramic socket and ProFixture 3x1.5 mm<sup>2</sup> silicone VDE cable.
- Blanking plate with built-in lamp adjuster.
- Includes safety screen, square colour frame and spring-loaded fourth gel foot.
- 1000W maximum lamping.



CE



**COST EFFECTIVE GENERAL-PURPOSE PAR CANS**



#### LOS ANGELES

10643 Glenoaks Blvd.  
Pacoima, CA 91331  
USA

Tel: +1 818.899.8818  
Fax: +1 818.899.8813

#### LONDON

2 Commerce Road  
Brentford, Middx TW8 8LR  
UK

Tel: +44 (0)20.8560.9652  
Fax: +44 (0)20.8560.1064

#### NEW YORK

100-D W. Forest Avenue  
Englewood, NJ 07631  
USA

Tel: +1 201.541.9292  
Fax: +1 201.541.8448

#### BEIJING

Unit 4, Blk 7, Shizipo  
Dongzhimenwai  
Dongcheng District  
Beijing, China 100027

Tel: +86 10.6417.2286  
Fax: +86 10.6415.9475

#### TORONTO

409 Saddle St. West  
Box 654, Durham  
Ontario N0G-1R0

Tel: +1 519.369.9990  
Fax: +1 519.369.9992

# STAR CAN CE

## Lamp Replacement

WARNING - Disconnect from power before re-lamping.

CAUTION - Lamp may be very hot.

- Disconnect fixture from power supply and allow to cool.
- Lift cap retainer and remove cap.
- Disconnect lampholder or wires from lamp.
- Remove lamp retaining ring by squeezing bent ends together and lifting ring away.
- Remove old lamp and replace with new lamp.
- Refit lamp retaining ring below dimples, making sure lamp can rotate freely.
- Reconnect lampholder or wires.
- Refit cap making sure that wires and lamp adjuster allow free movement of lamp.
- Connect to power and re-focus as necessary.

## Mounting

- Make sure that no mains cables rest in contact with fixture body.
- Yoke of fixture may be mounted to a lighting bar, hook clamp, TV spud, or any non-flammable surface using an M10 bolt.
- The mounting bolt and hand nut may be used to adjust and maintain fixture position. Tighten firmly when position is correct.

## Safety

- Replace lamp if cracked or thermally deformed.
- Replace mesh screen if damaged or missing.
- Make sure that lamp can spin freely after fitting the retaining ring.
- Fixture is not rated for and must not be used in environments containing flammable or explosive materials.
- A safety cable must always be used to secure fixture to supporting framework.
- When barn doors are used, a safety cable must always be looped from the barn door frame to the fixture.
- When connecting to mains power supply, make sure that the fixture is properly earthed and that the supply is at the rated voltage for the lamp and observe the correct polarity.
- Maximum rated ambient temperature is 45° C.
- Maximum rated voltage is 250 volts.
- Nominal frequency is 50/60 Hertz.

## Common Lamp Types

Lamp Type	Voltage	Wattage	Fuse Size
CP60 / 61 / 62	230v	1000w	5 Amp
CP86 / 87 / 88	230v	500w	3 Amp
FFN / FFP / FFR / FFS	120v	1000w	8 Amp
DYS (with Raylite Reflector)	120v	600w	5 Amp
500PAR64	120v	500w	4 Amp
4552	28v	250w	10 Amp
4559 / Q4559	28v	600w	25 Amp

Lampholder and wiring configuration varies.

