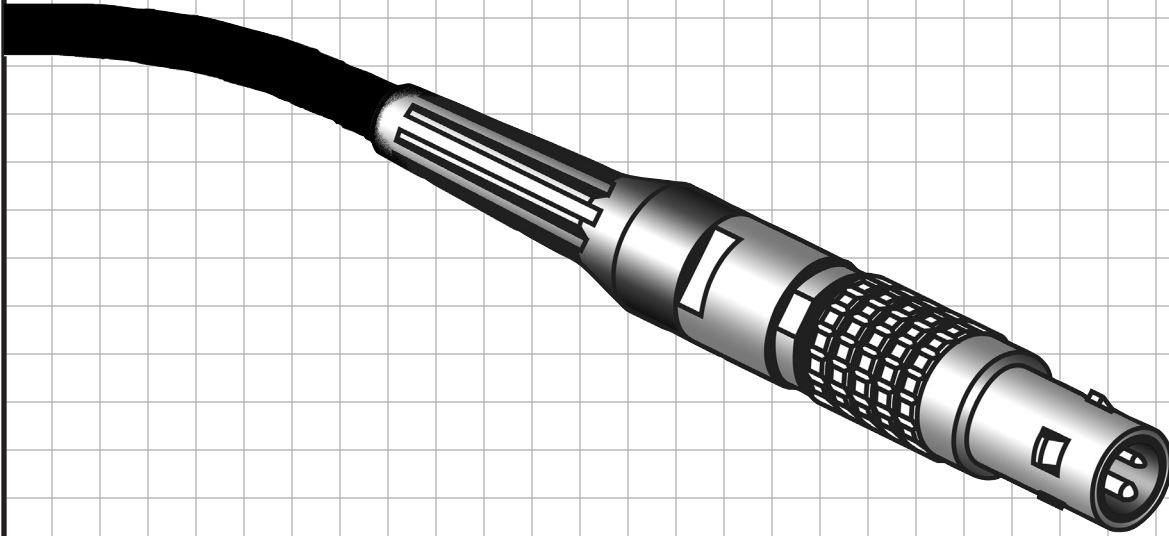


ProFibre™ OPTICAL BREAKOUT CABLES



THE WORLD'S MOST DURABLE FIBRE OPTIC CABLE

- Built to military tactical standards.
- PUR jacket material is flame retardant and offers abrasion, cut and chemical resistance.
- Highly flexible construction is easy to coil, yet resists kinking and protects fiber cores.
- Tight buffered design reduces field termination cost and installation time.
- Suitable for indoor and outdoor applications.
- Helical lay reduces fatigue failure after repeated coiling, for longer life expectancy.
- Splice loss eliminated.



LOS ANGELES

10643 Glenoaks Blvd.
Pacoima, CA 91331
USA

Tel: +1 818.899.8818
Fax: +1 818.899.8813

LONDON

21 Armstrong Way
Southall
UB2 4SD England

Tel: +44 (0)20.8574.9700
Fax: +44 (0)20.8574.9701

NEW YORK

100 Asia Place
Carlstadt, NJ 07072
USA

Tel: +1 201.896.8600
Fax: +1 201.896.8601

BEIJING

No. 309, Building 6
Sanlitun Nanlu
Chaoyang District
Beijing, China 100027

Tel: +86 10.8492.1587
Fax: +86 10.8492.7635

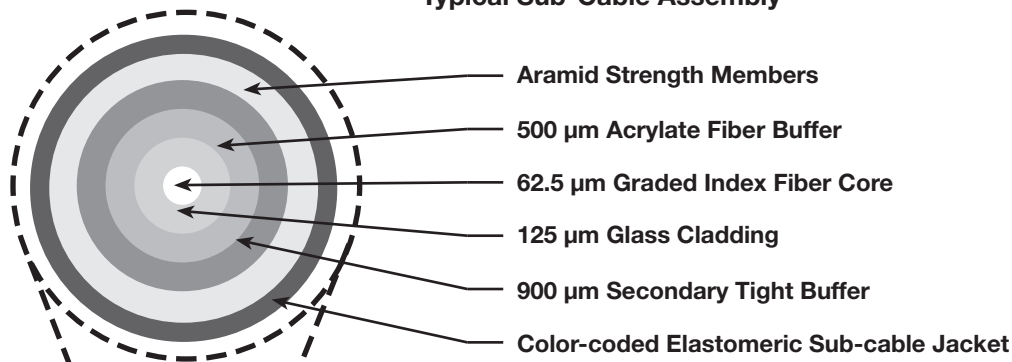
TORONTO

409 Saddler St. West
Box 654, Durham
Ontario N0G-1R0

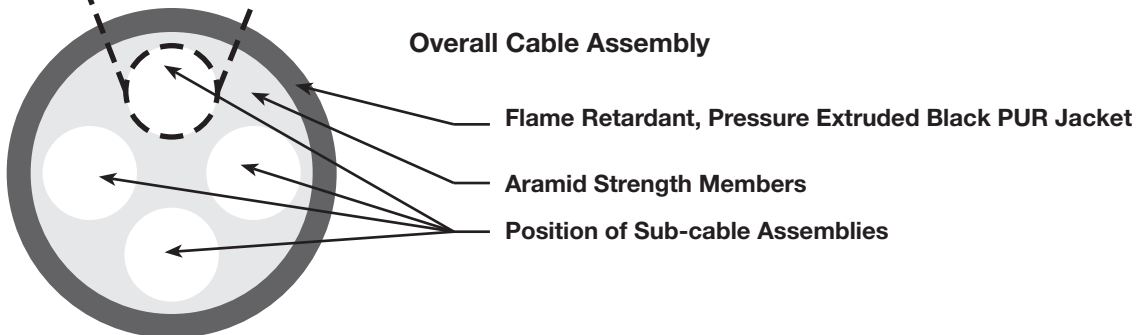
Tel: +1 519.369.9990
Fax: +1 519.369.9992

Fiber Cross-Section Illustrations

Typical Sub-Cable Assembly



Overall Cable Assembly



MECHANICAL DATA	
Crush Resistance	2200 N/cm
Impact Resistance	1500 Impacts
Flex Resistance	2000 Cycles
Minimum Bending Radius	15 x O.D. for Installation 7 x O.D. for Long Term
Tensile Load Rating	Short Term- 2200 N (490 lbs.) Long Term- 550 N (120 lbs.)
THERMAL DATA	
Operating Temperature	-55°C to +105°C
Storage Temperature	-70°C to +105°C

TRANSMISSION DATA	
Attenuation	
at 850nm	3.0 db / km max.
at 1300nm	1.0 db / km max.
Bandwidth	
at 850nm	200 MHz / km min.
at 1300nm	500 MHz / km min.
DIMENSIONS	
Overall Diameter	2-Core - 6.8 mm 4-Core - 7.2 mm
Weight	2-Core - 34 Kg/Km (23 lbs./mft.) 4-Core - 45 Kg/Km (30 lbs./mft.)